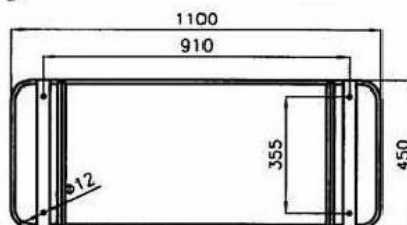
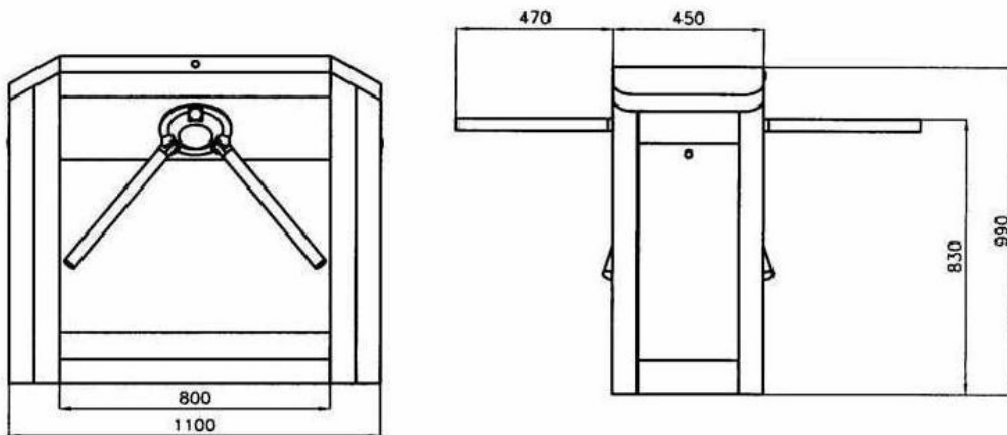
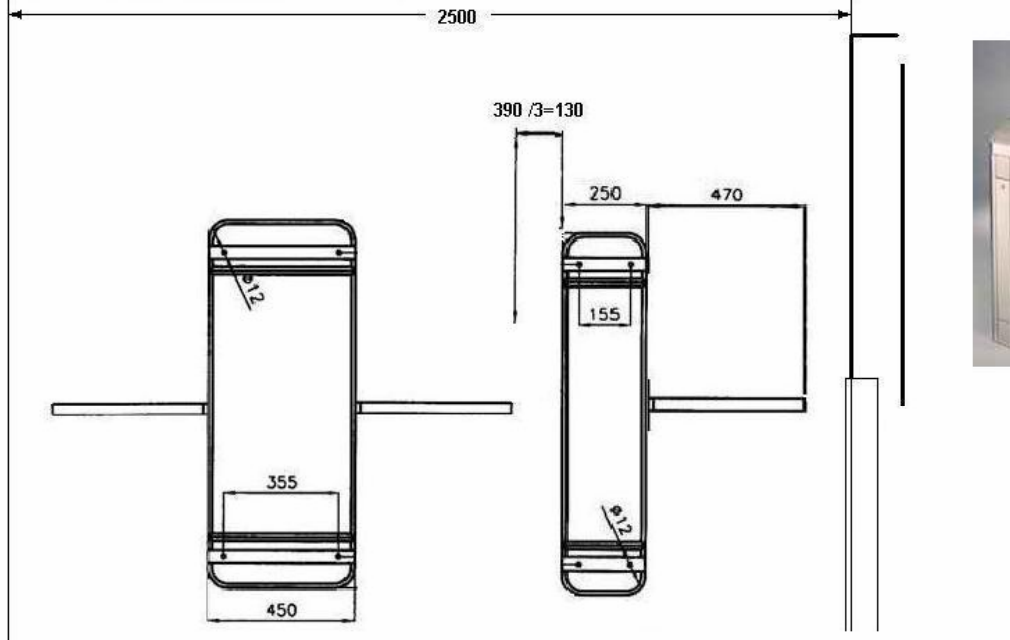
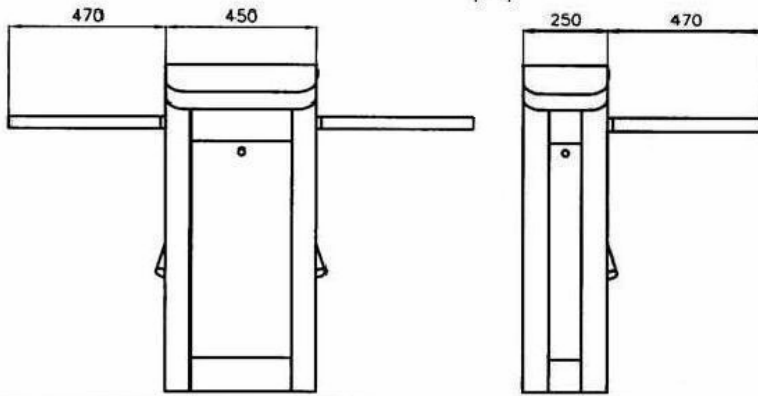


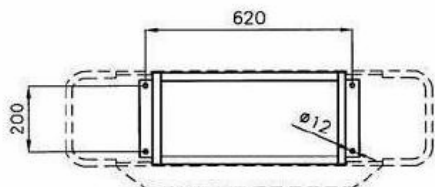
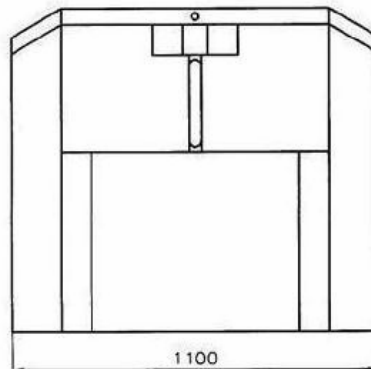
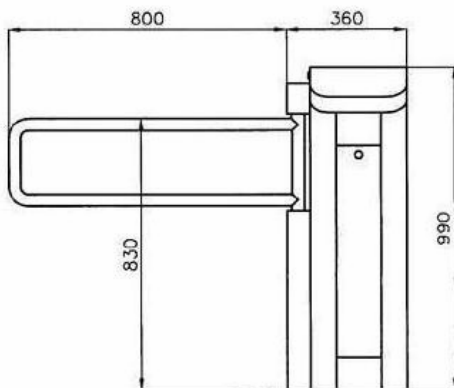
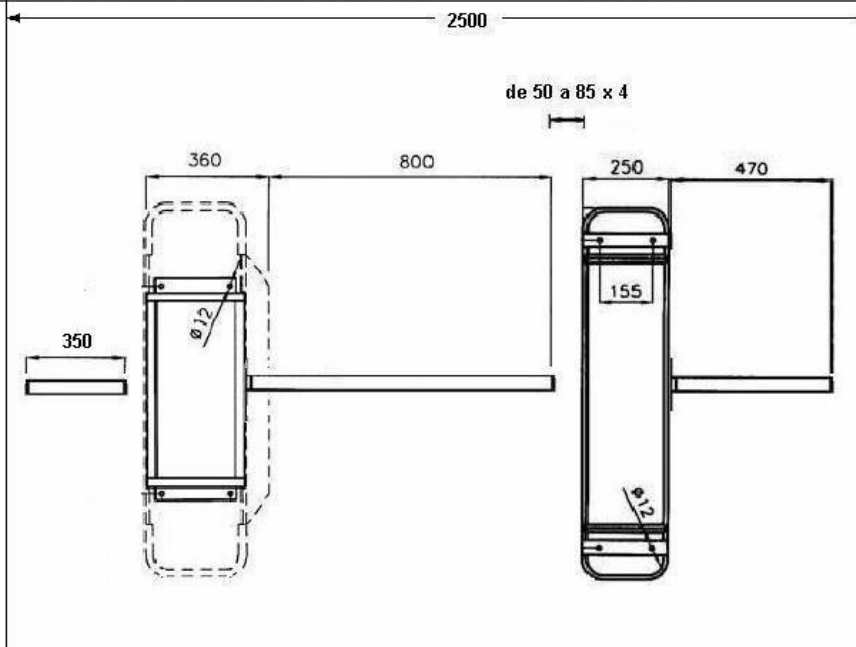
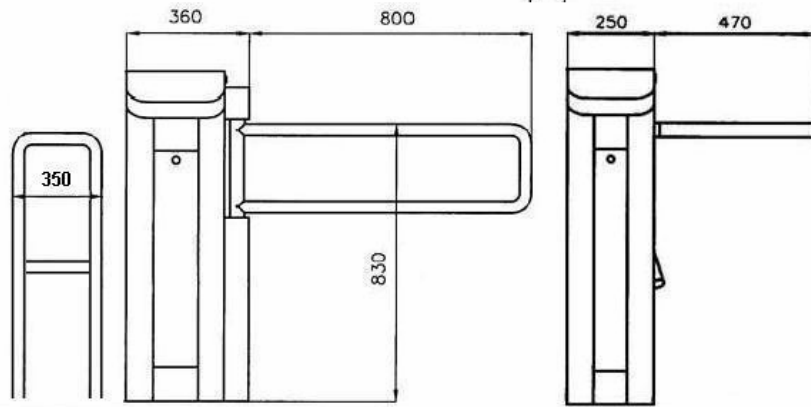
1 x TR-8213D
1 x TR-8213S

2.110 tornos
2.500-2.110=390 /3=130



1 x TR-8213S
1 x PM500

$2500 - 1880 = 620$
 $620 - 350 = 270$
 $270/4 = 67,5$
de 50 a 85 x 4

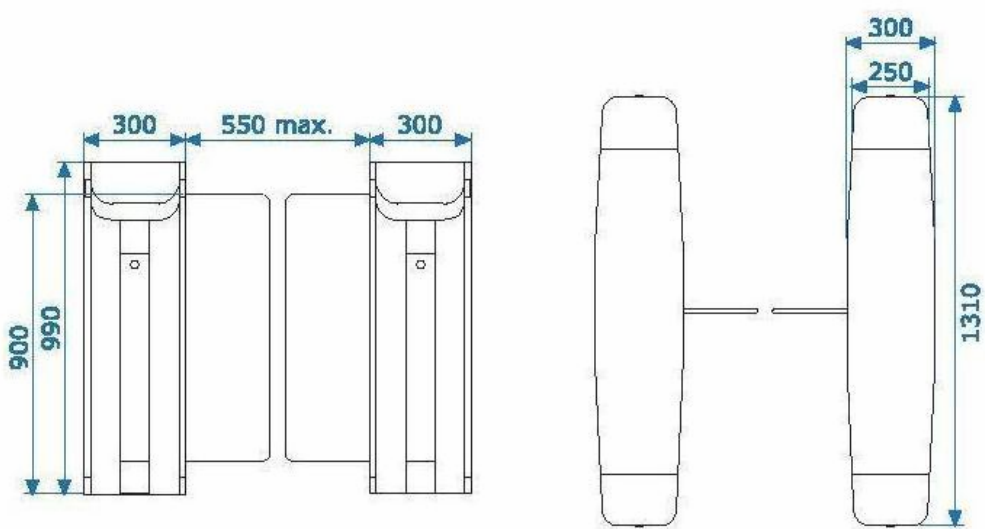
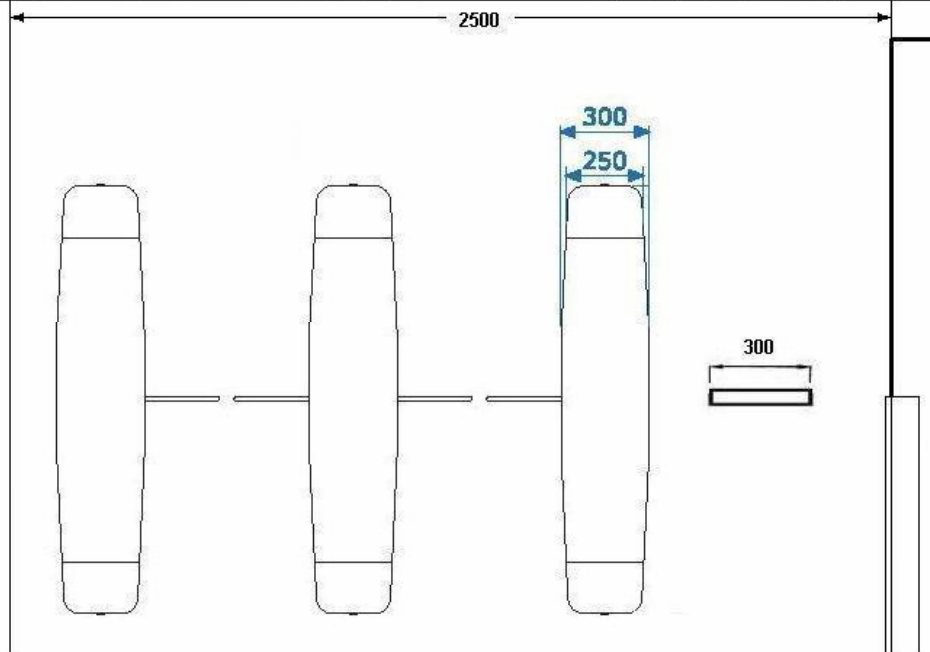
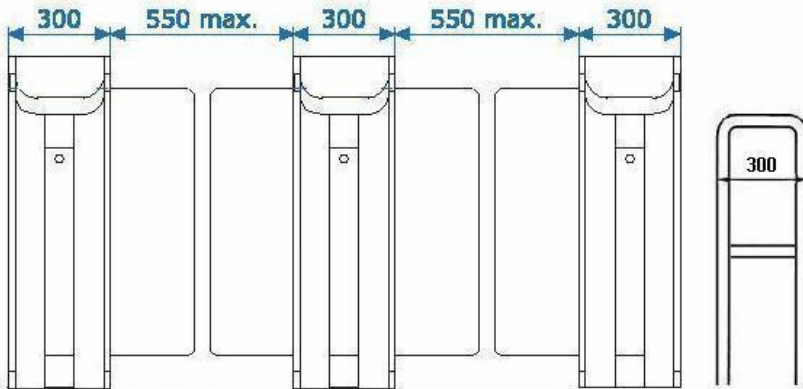


2 x PCO-RSV3/1
1 x PCO-RSV3/2

$$2500 - 2000 - 100 = 390$$

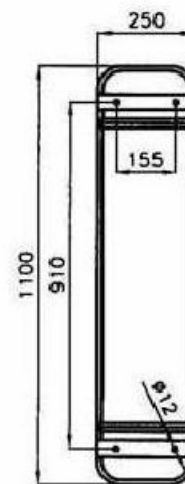
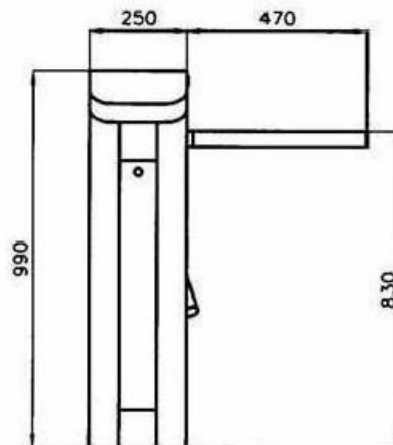
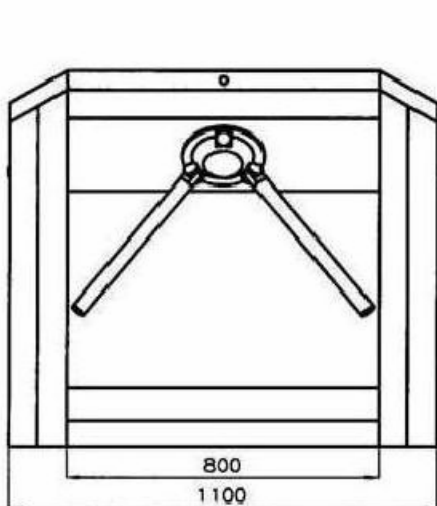
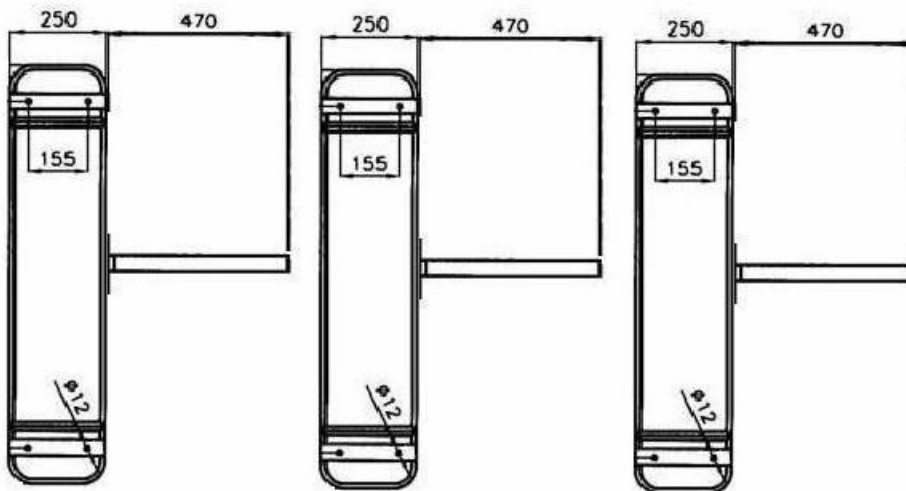
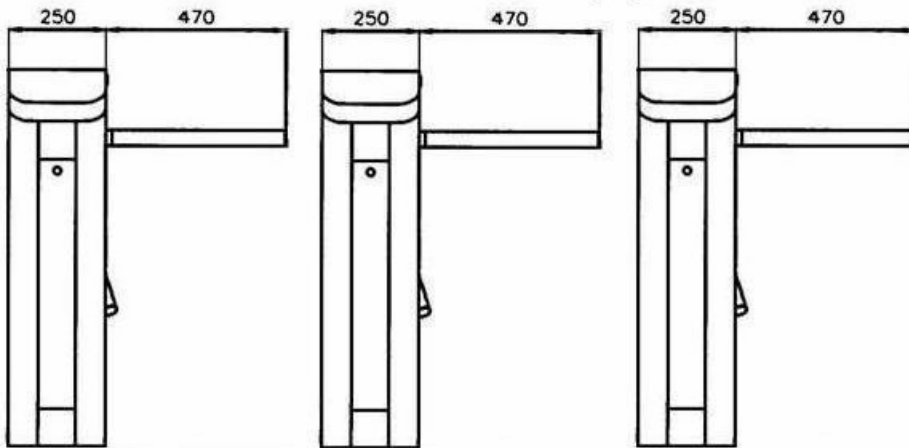
$$390 - 100 = 290 \text{ a } 300$$

Deslizantes



3 x TR-8213S

$2500 - 2160 = 340$
 $340/4 = 85$
 de 50 a 85 x 4



1xPCO-RV3E/2
2xPCO-RV3E/1

Deslizantes

